

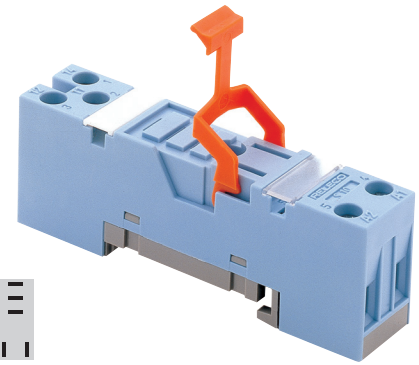
S10

Socket for 5-pin Relays

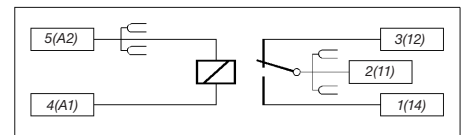
| | |
|---------------------------------------|--|
| Rated Load | 10 A / 250 V |
| Specifications | |
| Rated impulse withstand voltage | 5 kV rms / 1 min |
| - All terminals / DIN rail | 2.5 kV rms / 1 min |
| - Contact / Terminals | 5 kV rms / 1 min |
| - Contact / Coil terminals | 5 kV rms / 1 min |
| Cross-section of connecting wire | |
| - Single-wire | 4 mm ² / AWG 12 or 2 x 2.5 mm ² / AWG 14 |
| - Multi-wire | 0.34mm ² / 22 - 2.5 mm ² / AWG 14 |
| Nominal screw torque | 0.7 Nm |
| Screw Dimensions (mm) | M3 Pozi slot |
| Mounting | TS-35 or Back Panel Mounting |
| Ambient temperature operation/storage | -40...60 °C / -40 ... 80 °C (no ice) |
| Weight | 23g |

| | |
|-----------------------------|-----------------------------|
| Included Accessories | |
| Retaining Clip, plastic | S10-C for C10 / C10x Relays |

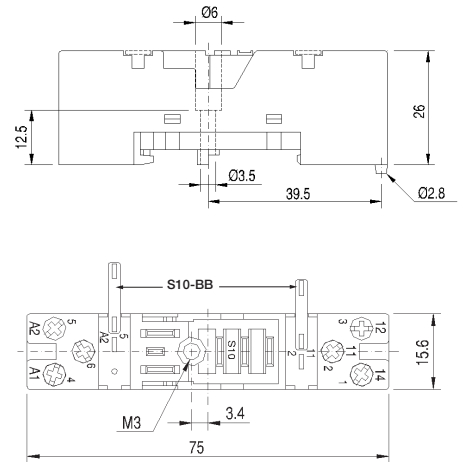
| | |
|-----------------------------|--|
| Optional Accessories | |
| Retaining clip, plastic | S10-C / CP-17B (BAG 10 PCS) for C10 / C10x |
| Bridge bar | S10-BB (BAG 20 PCS) |



Connection diagram



Dimensions (mm)



Technical approvals, conformities



| Socket Selection for industrial Relays | | | | | | | | | | | | | | | | | | | | | | | | | | |
|--|-----------------------------|----|----|----|----|----|----|-----|-----|-----------------|-----------|-----|-----|-----|-----|----|----------|-----------------|-----------|-----------|-----|-----|--------------------|---------------|-----|---|
| Socket Type | Description | C2 | C3 | C4 | C5 | C7 | C9 | C10 | C12 | C16PTL / C18PTL | C18-A15PT | C21 | C22 | C31 | C32 | R7 | R-Module | C52 / C53 / C64 | C55 / C56 | C83 / C85 | CT2 | CT3 | CT32 / CT33 / CT36 | CT515 / CT524 | KDM | |
| EC-11 | Socket for industrial Relay | | ● | | | | | | | | | | | ● | ● | | | | | | | | | | | |
| S2-B | Socket for industrial Relay | ● | | | | | | | | | | | | | | | | | | | | ● | | | | |
| S2-S * | Socket for industrial Relay | ● | | | | | | | | | | ● | ● | | | | | | | | | ● | | | | |
| S2-L * | Socket for industrial Relay | ● | | | | | | | | | | | | | | | | | | | | ● | | | | |
| S2-P * | Socket for industrial Relay | ● | | | | | | | | | | | | | | | | | | | | ● | | | | |
| S2-P0 * | Socket for industrial Relay | ● | | | | | | | | | | | | | | | | | | | | ● | | | | |
| S3-B | Socket for industrial Relay | | ● | | | | | | | | | | | ● | ● | | | ● | ● | | | | ● | | | |
| S3-MP | Socket for industrial Relay | | ● | | | | | | | | | | | ● | ● | | | ● | ● | | | | ● | | | |
| S3-S | Socket for industrial Relay | | ● | | | | | | | | | | | ● | ● | | | ● | ● | | | | ● | | | |
| S3-P * | Socket for industrial Relay | | | | | | | | | | | | | | | | | ● | ● | | | | ● | | | |
| S3-P0 * | Socket for industrial Relay | | | | | | | | | | | | | | | | | ● | ● | | | | ● | | | |
| S3-M0 | Socket for industrial Relay | | ● | | | | | | | | | | | ● | ● | | ● | | | | | | | ● | ● | |
| S3-M1 | Socket for industrial Relay | | ● | | | | | | | | | | | ● | ● | | | ● | ● | | | | ● | | | |
| S3-M | Socket for industrial Relay | | ● | | | | | | | | | | | ● | ● | | | ● | ● | | | | ● | | | |
| S4-J | Socket for industrial Relay | | | ● | | | | | | | | | | | | | | | | | | | | | | |
| S4-L | Socket for industrial Relay | | | ● | | | | | | | | | | | | | | | | | | | | | | |
| S4-P | Socket for industrial Relay | | | ● | | | | | | | | | | | | | | | | | | | | | | |
| S5-M | Socket for industrial Relay | | | | ● | | | | | | | | | | | | | ● | | | | | | ● | ● | |
| S5-L | Socket for industrial Relay | | | | ● | | | | | | | | | | | | | | | | | | | | | |
| S5-P | Socket for industrial Relay | | | | | | | | | | | | | | | | | | | | | | | | | |
| S7-C | Socket for industrial Relay | | | | | ● | | | | | | | | | | | ● | ● | | | ● | | | | | ● |
| S7-I0 | Socket for industrial Relay | | | | | ● | | | | | | | | | | | ● | ● | | | | | | | | |
| S7-16 | Socket for industrial Relay | | | | | ● | | | | | | | | | | | ● | ● | | | | | | | | |
| S7-P * | Socket for industrial Relay | | | | | ● | | | | | | | | | | | ● | | | | | | | | | |
| S7-L * | Socket for industrial Relay | | | | | ● | | | | | | | | | | | ● | | | | | | | | | |
| S9-M | Socket for industrial Relay | | | | | | ● | | | | | | | | | | | | | | | | | | | |
| S9-P | Socket for industrial Relay | | | | | | ● | | | | | | | | | | | | | | | | | | | |
| S9-L * | Socket for industrial Relay | | | | | | ● | | | | | | | | | | | | | | | | | | | |
| S9-P0 | Socket for industrial Relay | | | | | | | | | | | | | | | | | | | | | | | | | |
| S10 | Socket for industrial Relay | | | | | | | ● | | | | | | | | | | | | | | | | | | |
| S10-P | Socket for industrial Relay | | | | | | | ● | | | | | | | | | | | | | | | | | | |
| S12 | Socket for industrial Relay | | | | | | | | ● | | | | | | | | | | | | | | | | | |
| S12-P | Socket for industrial Relay | | | | | | | | ● | | | | | | | | | | | | | | | | | |
| S16-M | Socket for industrial Relay | | | | | | | | | ● | | | | | | | | ● | | | | | | | | |
| S18-M | Socket for industrial Relay | | | | | | | | | | ● | | | | | | | ● | | | | | | | | |

* Discontinued, limited units may be still available from stock.

| Socket Accessoires | | | | | | | | | | | | | | | | | |
|--------------------|---|------|-------|-------|------|------|------|------|-----|-------|-----|------|------|------|------|------|------|
| Type | Description | S3-M | S3-M0 | S3-M1 | S2-B | S3-B | S5-M | S7-C | S10 | S7-I0 | S12 | S9-M | S4-J | S7-L | S7-P | S9-L | S9-P |
| CA-11 | Code Ring (BAG 5 PCS) | | | | | ● | | | | | | | | | | | |
| C-A2 | Neutral-Connector (BAG 5 PCS or 50 PCS) | ● | ● | ● | | | ● | | | | | | | | | | |
| SC-3 | A1-Connector (BAG 10 PCS) | | ● | ● | | | ● | | | | | | | | | | |
| LH-1 | Label carrier transparent (BAG 5 PCS) | ● | ● | ● | | | | | | | | | | | | | |
| SL-36 | Label holder transparent (BAG 5 PCS) | | | | ● | ● | | | | | | | | | | | |
| SP-36 | Labeling strips (BAG 5 PCS) | | | | ● | ● | | | | | | | | | | | |
| L-16 | Labeling strips (BAG 5 PCS) | ● | ● | ● | | | | | | | | | | | | | |
| SD-1T | Lock lid transparent (BAG 5 PCS) | ● | ● | ● | | | ● | | | | | | | | | | |
| SD-1W | Lock lid white (BAG 5 PCS) | ● | ● | ● | | | ● | | | | | | | | | | |
| B20-G | Bridge Bar grey (BAG 5 PCS) | | | | | | | | | | ● | | | | | | |
| B20-R | Bridge Bar red (BAG 5 PCS) | | | | | | | | | | ● | | | | | | |
| B20-A | Bridge Bar blue (BAG 5 PCS) | | | | | | | | | | ● | | | | | | |
| PS-W | Labeling strips | | | | | | | ● | | | | | | | | | |
| S7-BB | Bridge bar (BAG 5 PCS (5 x 4)) | | | | | | | ● | | ● | | | | | | | |
| S9-CH | Labeling srib white (BAG 10 PCS) | | | | | | | | | ● | | ● | | | | | |
| S10-BB | Bridge bar (BAG 20 PCS (5 x 4)) | | | | | | | | ● | | | | | | | | |
| S10-RH | Labeling srib white (BAG 10 PCS) | | | | | | | | ● | | ● | | | | | | |
| S10-RT | Transparent Cover (BAG 20 PCS) | | | | | | | | ● | | | | | | | | |
| SA-0 | Wall Adapter | | | | | | | ● | ● | | ● | | | | | | |
| SS-T | Transparent Cover | | | | | | | ● | | | | | | | | | |
| SS-W | White Cover | | | | | | | ● | | | | | | | | | |
| V10-G | Bridge Bar grey (BAG 5 PCS) | | | | | | | | | | ● | | | | | | |
| V10-R | Bridge Bar red (BAG 5 PCS) | | | | | | | | | | ● | | | | | | |
| V10-A | Bridge Bar blue (BAG 5 PCS) | | | | | | | | | | ● | | | | | | |
| V40-G | Bridge Bar grey (BAG 5 PCS) | | | | | | | | | | ● | | | | | | |
| V40-R | Bridge Bar red (BAG 5 PCS) | | | | | | | | | | ● | | | | | | |
| V40-A | Bridge Bar blue (BAG 5 PCS) | | | | | | | | | | ● | | | | | | |

Retaining clip selection for socket and relay

| Socket type | Made in | C2 ESP | C2 ESP + CT2 | C2 IND | C2 IND + CT2 | C3 ESP | C3 ESP + CT3 | C3 IND | C3 ESP + CT3 | C4 ESP | C4 CN | C5 ESP | C5 CN | C7 ESP | C7 CN | C9 ESP | C9 CN | C10 ESP | C10 CN | C10 IND | C12 ESP | C12 IND | C16P/L/C18P/L | C18-A1SPT | C21 | C21 + CT2 | C22 | C22 + CT2 | C31 | C31 + CT3 | C32 | C32 + CT3 | R3 ESP | R3 IND | R7 ESP | R7 CN | | | |
|-------------------|---------|-------------------------|--------------|--------|-------------------------|--------|-------------------------|--------|-------------------------|--------|-------|--------|-------|--------|-------|--------|-------|---------|--------|---------|---------|---------|---------------|-----------|-----|-----------|-----|-----------|-----|-----------|-----|-----------|--------|--------|--------|-------|--|--|--|
| EC-8 | ESP | S3-C | HF-32 | | HF-32 | | S3-C | | HF-32 | | | | | | | | | | | | | | | | | | | | | | | | | | | | | | |
| EC-11 | CN | | | | | | | | | | | | | | | | | | | | | | | | | | | | | | | | | | | | | | |
| S2-B, S2-S | CN | S3-CM CP-15B S3-C | S3-CT | S3-CT | S3-OM HF-32 | HF-33 | | | | | | | | | | | | | | | | | | | | | | | | | | | | | | | | | |
| S20-B | ESP | S3-CM CP-15B S3-C | S3-CT | S3-CT | S3-OM HF-32 | HF-33 | | | | | | | | | | | | | | | | | | | | | | | | | | | | | | | | | |
| S2-L, S2-P, S2-PO | ESP | S3-C | | | HF-32 | | | | | | | | | | | | | | | | | | | | | | | | | | | | | | | | | | |
| S3-B | CN | | | | S3-OM CP-15B S3-C | S3-CT | S3-OM CP-15B S3-C | S3-CT | S3-OM CP-15B S3-C | HF-33 | | | | | | | | | | | | | | | | | | | | | | | | | | | | | |
| S30-B | ESP | | | | S3-OM CP-15B S3-C | S3-CT | S3-OM CP-15B S3-C | S3-CT | S3-OM CP-15B S3-C | HF-33 | | | | | | | | | | | | | | | | | | | | | | | | | | | | | |
| S3-MP | ESP | | | | S3-OM CP-15B S3-C | S3-CT | S3-OM CP-15B S3-C | S3-CT | S3-OM CP-15B S3-C | HF-33 | | | | | | | | | | | | | | | | | | | | | | | | | | | | | |
| S3-S | CN | | | | S3-OM CP-15B S3-C | S3-CT | S3-OM CP-15B S3-C | S3-CT | S3-OM CP-15B S3-C | HF-33 | | | | | | | | | | | | | | | | | | | | | | | | | | | | | |
| S3-L, S3-P, S3-PO | ESP | | | | S3-C | | S3-C | | S3-C | HF-32 | | | | | | | | | | | | | | | | | | | | | | | | | | | | | |
| S3-M0 | ESP | | | | S3-C | | S3-C | | S3-C | HF-32 | | | | | | | | | | | | | | | | | | | | | | | | | | | | | |
| S4-J | CN | | | | S3-CM CP-15B S3-C | | S3-CM CP-15B S3-C | | S3-CM CP-15B S3-C | | | | | | | | | | | | | | | | | | | | | | | | | | | | | | |
| S4-L, S4-P, S4-PO | ESP | | | | S4-CL | | S4-CL | | S4-CL | | | | | | | | | | | | | | | | | | | | | | | | | | | | | | |
| S5-S | ESP | | | | | | | | | | | | | | | | | | | | | | | | | | | | | | | | | | | | | | |
| S5-M | CN | | | | | | | | | | | | | | | | | | | | | | | | | | | | | | | | | | | | | | |
| S7-C | CN | | | | | | | | | | | | | | | | | | | | | | | | | | | | | | | | | | | | | | |
| S7-H0 | ESP | | | | | | | | | | | | | | | | | | | | | | | | | | | | | | | | | | | | | | |
| S7-H0 | CN | | | | | | | | | | | | | | | | | | | | | | | | | | | | | | | | | | | | | | |
| S7-16 | ESP | | | | | | | | | | | | | | | | | | | | | | | | | | | | | | | | | | | | | | |
| S7-P | | | | | | | | | | | | | | | | | | | | | | | | | | | | | | | | | | | | | | | |
| S7-L, S7-PO | ESP | | | | | | | | | | | | | | | | | | | | | | | | | | | | | | | | | | | | | | |
| S9-M | CN | | | | | | | | | | | | | | | | | | | | | | | | | | | | | | | | | | | | | | |
| S9-P | | | | | | | | | | | | | | | | | | | | | | | | | | | | | | | | | | | | | | | |
| S9-L, S9-PO | ESP | | | | | | | | | | | | | | | | | | | | | | | | | | | | | | | | | | | | | | |
| S10 | CN | | | | | | | | | | | | | | | | | | | | | | | | | | | | | | | | | | | | | | |
| S10-P | CN | | | | | | | | | | | | | | | | | | | | | | | | | | | | | | | | | | | | | | |
| S12 | CN | | | | | | | | | | | | | | | | | | | | | | | | | | | | | | | | | | | | | | |
| S12-P | ESP | | | | | | | | | | | | | | | | | | | | | | | | | | | | | | | | | | | | | | |
| S16-M | CN | | | | | | | | | | | | | | | | | | | | | | | | | | | | | | | | | | | | | | |
| S18-M | CN | | | | | | | | | | | | | | | | | | | | | | | | | | | | | | | | | | | | | | |