

S3-MR**11-pin R3 Relay socket | Time & Monitoring Module compatible****General data**

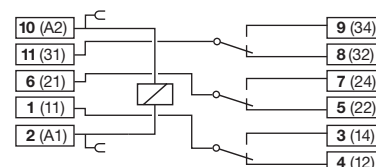
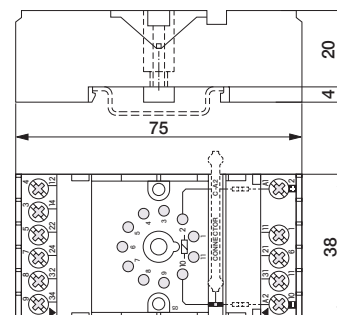
Rated load	10 A / 250 V
Dielectric strength	
- All terminals / DIN rail	2.5 kV rms / 1 min
- Terminal / terminal	2.5 kV rms / 1 min
Cross-section of connecting wire	
- Single wire	1 x 6 mm ² / AWG 10, 2 x 1.5 mm ² / AWG 16
- Multi wire (un-crimped)	1 x 4 mm ² / AWG 12, 2 x 1.5 mm ² / AWG 16
Nominal screw torque	0.7 Nm
Screw Dimension	M3 Pozi slot
Mounting	TH35 (EN 60715) or back panel mounting
Ambient temperature storage (no ice)	-40 ... 80 °C
Ambient temperature operation	-40 ... 70 °C
Weight	61 g
Housing material	PA

Included Accessories

A2-Connector	C-A2
--------------	------

Optional Accessories

Retaining clip, steel	HF-32 (BAG 10 PCS)
	HF-33 (BAG 10 PCS) for Time Cube CTx
A2-Connector	C-A2 (BAG 5PCS)
Freewheeling diode module	RD1/DC12-220V
RC-Suppressor module	RC1/UC110-240V
Coding ring	S3-BC (BAG 5 PCS) for C3 / C3x Relays

**fig. 1. Wiring diagram****fig. 2. Dimension (mm)****Technical approvals, conformities**

Standards EN 60664-1

Railway EN 45545-2; EN 50155

Approvals 